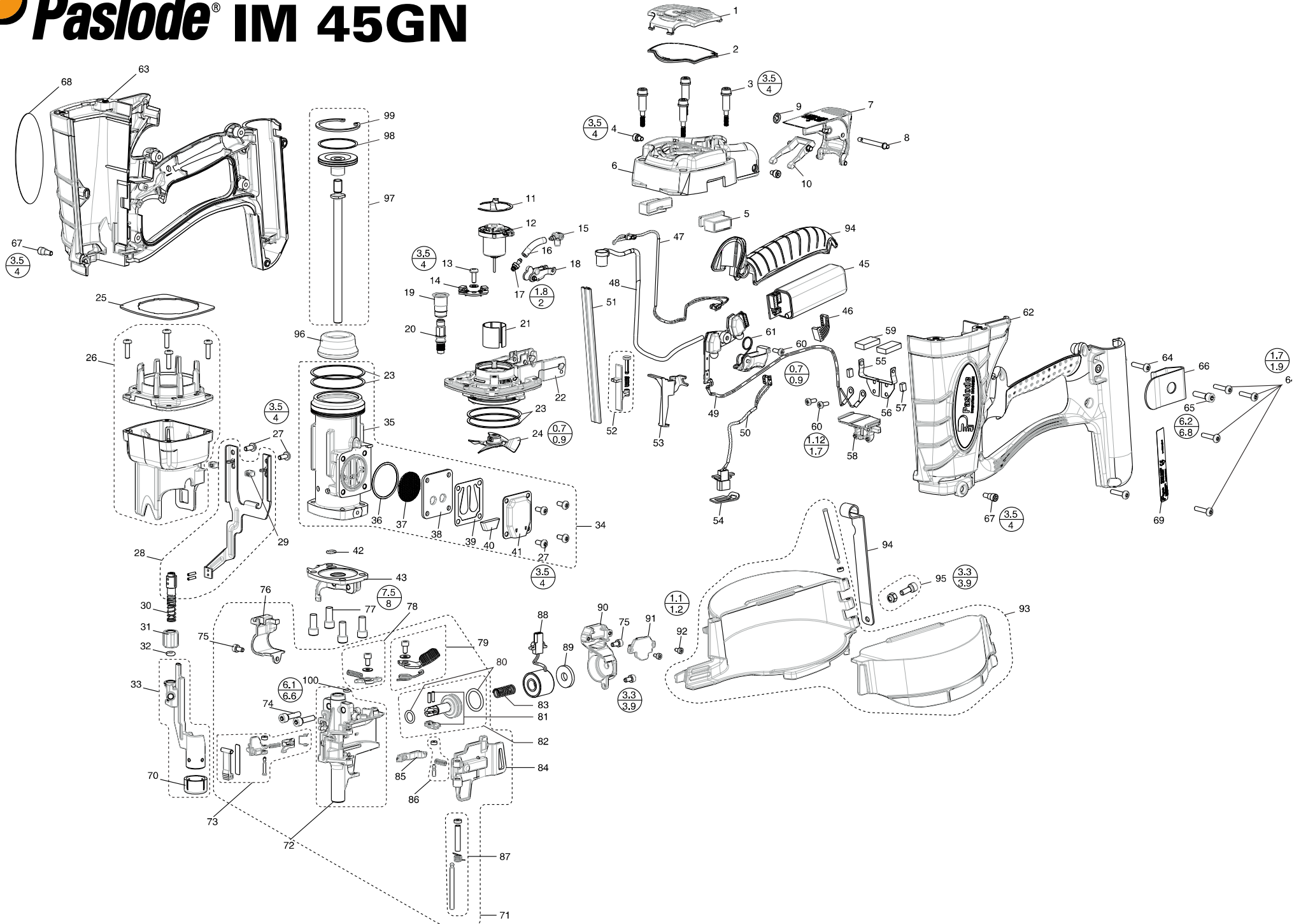


Paslode® IM 45GN



22**TOOL IM45-GN hafte**

<u>plan</u>	<u>code</u>	<u>description</u>	<u>plan</u>	<u>code</u>	<u>description</u>
001	904555	GRILLE IM45CW	048	904567	SPARK-PLUG ASSY IM45CW
002	900648	FILTER (IM250A-F16)	049	904511	MOLDED CIRCUIT IM45CW
003	901064	SCREW,SHC. 8-32x1-3/8"	050	904561	WIRE HARNESS IM45CW
004	904557	SCREW-CAP IM45CW	051	900620	CHANNEL,FRONT (IM250A-F16
006	904597	WEAR PAD UPPER IM45CW	052	900726	SWITCH SIDE ASSY. (IM250A
007	904550	FUEL DOOR IM45CW	053	904532	WIRE CLIP IM45CW
008	902230	FUEL DOOR PIN IM45CW	054	904558	CONNECTOR BRACKET IM45CW
009	902235	RETAINING RING IM45CW	055	903003	RIGHT CONTACT NM(IM250-45
010	904544	DOSING LEVER IM45CW	056	903004	LEFT CONTACT NM(IM250-45)
011	901119	RETAINING RING NEW MODEL	057	904572	PAD/TERMINAL IM45CW
012	901112	SUB# 901382 MOTOR ASSEMBL	058	904527	INTERFACE BLOCK IM45CW
013	900596	SCREW,TORX SEMS 8-32x7/16	059	904571	BATTERY PAD IM45CW
014	900739	CIRCUIT BOARD,CYL. HEAD	060	404702	SCREW,PZD 6-32x3/8"
015	902406	FUEL BLOCK IM45CW	061	901082	TRIGGER ASSEMBLY(IM200-F1
016	904546	FUEL TUBE IM45CW	062	904508	HANDLE/LEFT IM45CW
017	904517	FUEL BARB IM45CW	063	904507	HANDLE/RIGHT IM45CW
018	904521	PIVOT ARM IM45CW	064	901066	SUB# 900453 SCREW-PLASTIT
019	900785	INSULATOR,SPARK PLUG(IM25	065	004618	SUB# 900593 SCREW,SHC. 10
020	900714	SPARK PLUG ASSY.(IM250A)	066	904541	BELT HOOK IM45CW
021	401356	SLEEVE,FAN MOT. IMP-P700	067	900792	SHOULDER SCREW (IM250A)
022	904504	CYLINDER HEAD IM45CW	077	904576	SCREW/SHC IM45CW
023	900612	RING,SEAL (IM250A-F16)	083	904524	FEED PISTON SPRING IM45CW
024	900709	FAN ASSY. (IM250A-F16)	088	904563	MAGNET ASSY/TERM IM45CW
025	900700	DAM,AIR (IM250A-F16)	089	904540	BUMPER/CLAW-PISTON IM45CW
026	904570	COMB-CHAMBER ASS. IM45CW	096	900680	BUMPER (IM250A-F16)
027	405140	SCREW,TORX 8-32x3/8"	098	403098	RING,PISTON (IM200-SR)
029	900707	BUMPER,PROBE (IM250A-F16)	099	403099	RING,RETAINING PISTON
030	904594	SPRING IM45CW	0	0	0
032	014415	O-RING DOIGT PALP. PPN50I	0	0	0
034	904581	SLEEVE ASSEMBLY IM45CW	0	0	0
035	904503	SLEEVE IM45CW	0	0	0
036	900616	O-RING (IM250A-F16)	0	0	0
037	901089	DISK PREFILTER	0	0	0
038	900665	PLATE,REED (IM250A-F16)	0	0	0
039	900664	VALVE,REED (IM250A-F16)	0	0	0
040	900609	MUFFLER (IM250A-F16)	0	0	0
041	900668	COVER,MUFFLER (IM250A-F16	0	0	0
042	904523	O-RING SEAL IM45CW	0	0	0
044	901044	SOFT GRIP (IM200-F18)	0	0	0
045	904510	SPARK UNIT IM45CW	0	0	0
046	900662	WIRE ASSY,E.S.U. (IM250A)	0	0	0
047	904562	HARNESS/FAN MOTOR IM45CW	0	0	0

21/08/2014 11:32